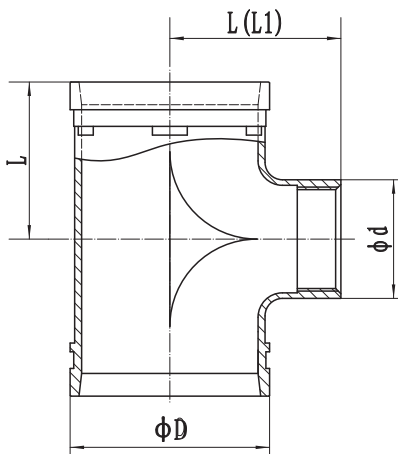
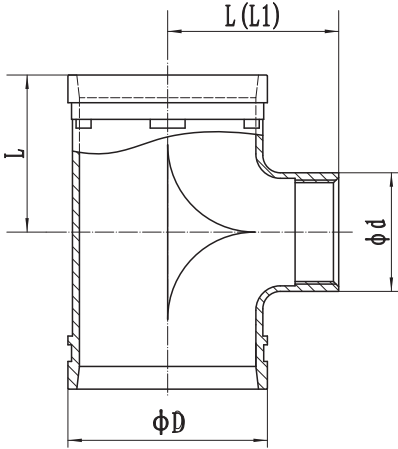


Threaded Reducing Tee



Nominal Size mm/in	Pipe O.D mm/in	Dimensions				Working pressure Psi
		L (mm)		D	d	
		L	L1	mm	mm	
50×25	60.3×33.7	70		60	43	300
2×1	2.375×1.327	70		60	52	
50×32	60.3×42.4	70		60	58	
2×1 1/4	2.375×1.669	70		60	58	
50×40	60.3×48.3	76		73	43	
2×1 1/2	2.375×1.9	76		73	52	
65×25	73.0×33.7	76		73	52	
2 1/2×1	2.875×1.327	76		73	58	
65×32	73.0×42.4	76		73	70	
2 1/2×1 1/4	2.875×1.669	76		73	70	
65×40	73.0×48.3	76		76	43	
2 1/2×1 1/2	2.875×1.9	76		76	52	
65×50	73.0×60.3	76		76	58	
2 1/2×2	2.875×2.375	76		76	70	
65×25	76.1×33.7	86		89	43	
2 1/2×1	3×1.327	86		89	52	
65×32	76.1×42.4	86		89	56	
2 1/2×1 1/4	3×1.669	86		89	70	
65×40	76.1×48.3	86		89	86	
2 1/2×1 1/2	3×1.9	86		89	86	
65×50	76.1×60.3	90		98	58	
2 1/2×2	3×2.375	90		98	70	
80×25	88.9×33.7	90		98	86	
3×1	3.5×1.327	90		98	86	
80×32	88.9×42.4	90		98	99	
3×1 1/4	3.5×1.669	90		98	99	
80×40	88.9×48.3	90		98	114	
3×1 1/2	3.5×1.9	90		98	114	
80×50	88.9×60.3	90		98	114	
3×2	3.5×2.375	90		98	114	
80×65	88.9×76.1	90		98	114	
3×2 1/2	3.5×3	90		98	114	
100×40	108.0×48.3	105		133	70	
4×1 1/2	4.25×1.9	105		133	86	
100×50	108.0×60.3	105		133	99	
4×2	4.25×2.375	105		133	99	
100×65	108.0×76.1	105		133	124	
4×2 1/2	4.25×3	105		133	124	
100×80	108×88.9	105		140	58	
4×3	4.25×3.5	105		140	58	
100×25	114.3×33.7	105		140	58	
4×1	4.5×1.327	105		140	58	
100×32	114.3×42.4	105		140	58	
4×1 1/4	4.5×1.669	105		140	58	
100×40	114.3×48.3	105		140	58	
4×1 1/2	4.5×1.9	105		140	58	
100×50	114.3×60.3	105		140	58	
4×2	4.5×2.375	105		140	58	
100×65	114.3×76.1	105		140	58	
4×2 1/2	4.5×3	105		140	58	
100×80	114.3×88.9	105		140	58	
4×3	4.5×3.5	105		140	58	
125×50	133.0×60.3	105		140	58	
5×2	5.25×2.375	105		140	58	
125×65	133.0×76.1	105		140	58	
5×2 1/2	5.25×3	105		140	58	
125×80	133.0×88.9	105		140	58	
5×3	5.25×3.5	105		140	58	
125×100	133.0×114.3	105		140	58	
5×4	5.25×4.5	105		140	58	
125×40	139.7×48.3	105		140	58	
5×1 1/2	5.5×1.9	105		140	58	

Threaded Reducing Tee



Nominal Size mm/in	Pipe O.D mm/in	Dimensions				Working pressure Psi
		L (mm)		D	d	
		L	L1	mm	mm	
125×50	139.7×60.3	105		140	70	300
5×2	5.5×2.375	105		140	86	
125×65	139.7×76.1	105		140	99	
5×2½	5.5×3	105		140	124	
125×80	139.7×88.9	105		141	58	
5×3	5.5×3.5	105		141	70	
125×100	139.7×114.3	105		141	86	
5×4	5.5×4.5	105		141	99	
125×40	141.3×48.3	105		141	124	
5×1½	5.563×1.9	105		141	58	
125×50	141.3×60.3	105		141	70	
5×2	5.563×2.375	105		141	86	
125×65	141.3×76.1	105		141	99	
5×2½	5.563×3	105		141	124	
125×80	141.3×88.9	105		141	58	
5×3	5.563×3.5	105		141	70	
125×100	141.3×114.3	105		141	86	
5×4	5.563×4.5	105		141	99	
150×40	159.0×48.3	110	120	159	58	
6×1½	6.25×1.9	110	120	159	70	
150×50	159.0×60.3	110	120	159	86	
6×2	6.25×2.375	110	120	159	99	
150×65	159.0×76.1	110	120	159	124	
6×2½	6.25×3	110	120	159	58	
150×80	159.0×88.9	110	120	159	70	
6×3	6.25×3.5	110	120	159	86	
150×100	159.0×114.3	110	120	159	99	
6×4	6.25×4.5	110	120	159	124	
150×40	165.1×48.3	110	120	165	58	
6×1½	6.5×1.9	110	120	165	70	
150×50	165.1×60.3	110	120	165	86	
6×2	6.5×2.375	110	120	165	99	
150×65	165.1×76.1	110	120	165	124	
6×2½	6.5×3	110	120	165	58	
150×80	165.1×88.9	110	120	165	70	
6×3	6.5×3.5	110	120	165	86	
150×100	165.1×114.3	110	120	165	99	
6×4	6.5×4.5	110	120	165	124	
150×40	168.3×48.3	110	120	168	58	
6×1½	6.625×1.9	110	120	168	70	
150×50	168.3×60.3	110	120	168	86	
6×2	6.625×2.375	110	120	168	99	
150×65	168.3×76.1	110	120	168	124	
6×2½	6.625×3	110	120	168	58	
150×80	168.3×88.9	110	120	168	70	
6×3	6.625×3.5	110	120	168	86	
150×100	168.3×114.3	110	120	168	99	
6×4	6.625×4.5	110	120	168	124	
200×50	219.1×60.3	146		219	70	
8×2	8.625×2.375	146		219	86	
200×50	219.1×76.1	146		219	99	
8×2½	8.625×3	146		219	124	
200×80	219.1×88.9	146		219	58	
8×3	8.625×3.5	146		219	70	
200×100	219.1×114.3	146		219	86	
8×4	8.625×4.5	146		219	99	